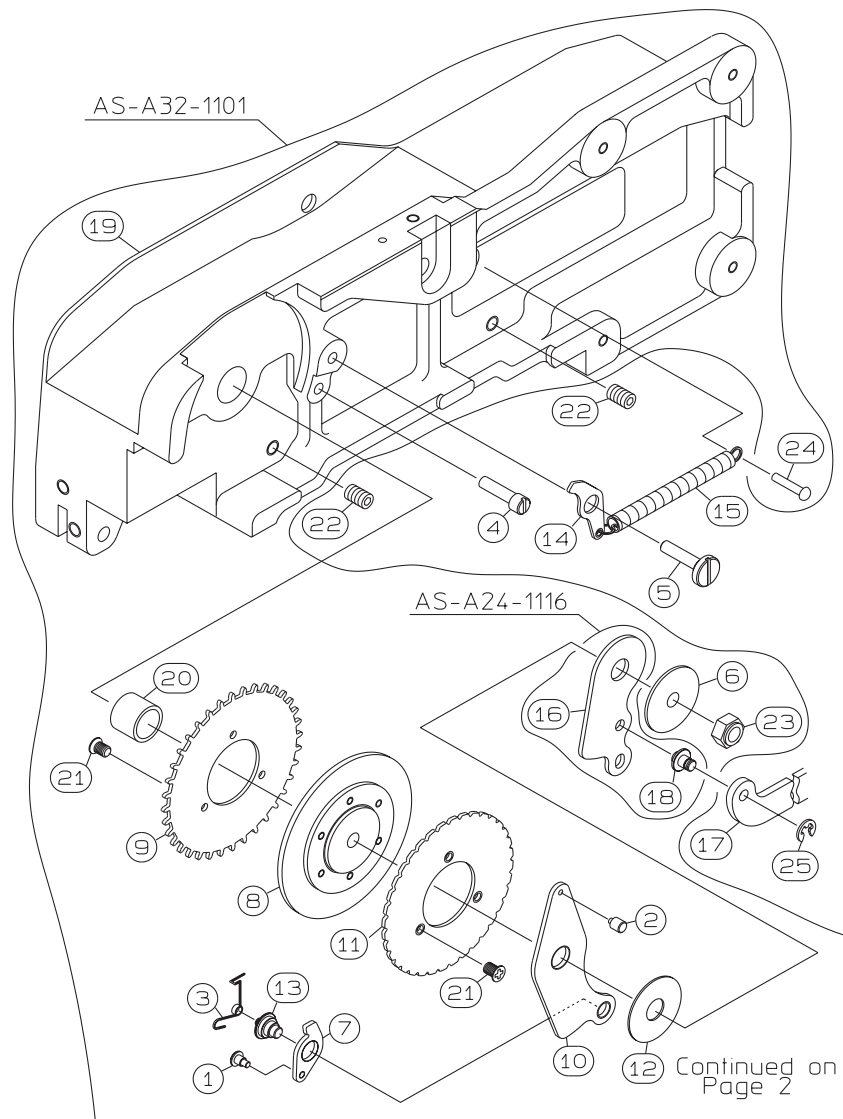
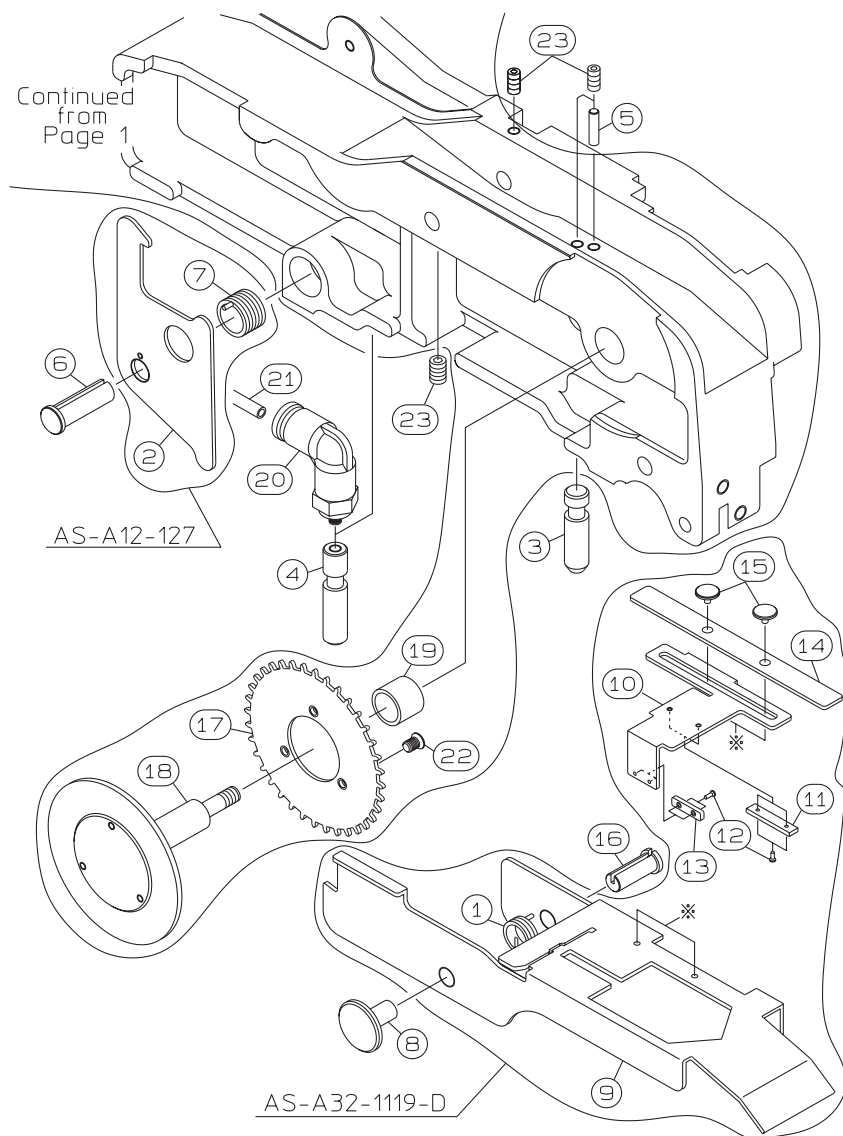


KW1-0206



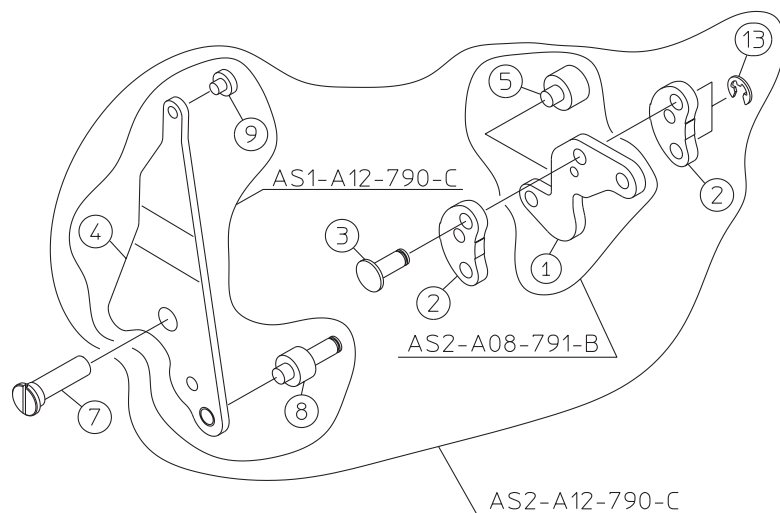
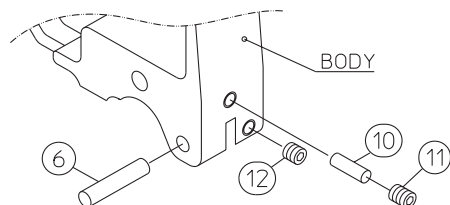
No.	Part No.	Part Name	Q'ty	Remarks
	KW1-M452U-000	SUB LEVER ASSY	1	AS -A24-1116
	KW1-M5510-000	BODY ASSY	1	AS -A32-1101
1		SPRING HOOK PIN	1	CTF-A08- 211-B-2
2		RACKING LEVER GUID PIN	1	CTF-A12- 706
3	KW1-M452D-000	COIL SPRING	1	CTF-M08- 511-1
4	KW1-M221F-100	STOPPER PIN	1	CTF-M12- 313
5	K87-M211B-000	BACK STOPPER AXIS	1	CTF-M12- 315
6	KW1-M552R-000	LEVER METAL	1	FTA-A32-1108
7		RACKING POLE	1	FTA-A08-1111
8	KW1-M4521-000	METAL	1	FTA-A24-1103
9	KW1-M4523-000	SPROCKET	1	FTA-A24-1104
10		RACKING LEVER	1	FTA-A24-1105
11	KW1-M4524-000	RATCHET	1	FTA-A24-1107
12	KW1-M452H-000	THRUST WASHER	1	FTA-A24-1109
13		POLE AXIS	1	FTA-A24-1110
14	KW1-M451H-000	BACK STOPPER	1	FTA-A24-1114
15	KW1-M451A-000	SPRING	1	FTA-A24-1114-400
16		SUB LEVER	1	FTA-A24-1116
17	KW1-M4577-000	MAIN ARM	1	FTA-A24-1117
18		STUD	1	FTA-A24-1118
19	KW1-M5511-000	BODY	1	FTA-A32-1101
20	KW1-M552F-000	BEARING	1	MB0808DU
21	K87-M111P-000	SCREW,FLAT HEAD +	6	P2MK-3
22	K87-M111V-000	SCREW SET	2	4MY-5-F
23	K87-M55BL-000	UNAT	1	4MH-U
24	K87-M1115-000	CIRCULAR RIVET	1	2-10
25	K87-M11B9-000	CIRCLIP E	1	E-24
26				
27				
28				
29				
30				
31				
32				
33				
34				
35				
36				

KW1-0206



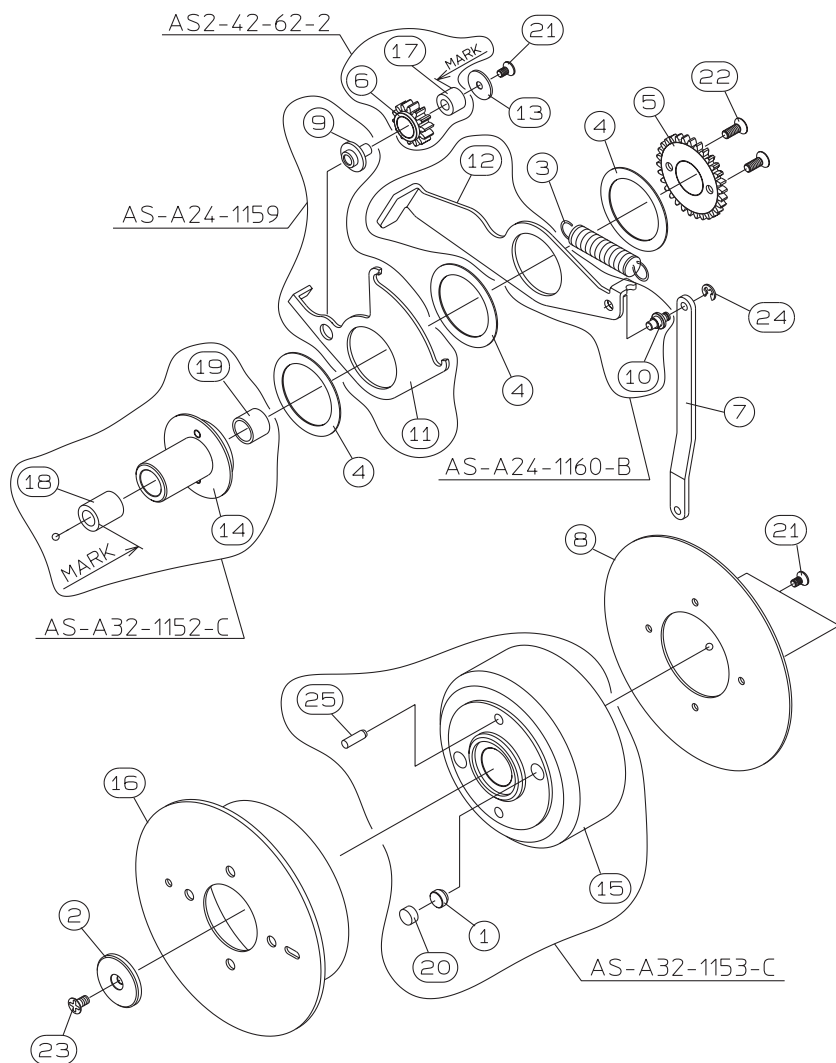
No.	Part No.	Part Name	Q'ty	Remarks
	K87-M214A-000	LOCK LEVER ASSY	1	AS -A12- 127
	KW1-M5540-000	TAPE GUIDE ASSY	1	AS -A32-1119-D
1		COIL SPRING	1	CTF-A08- 228
2		LOCK LEVER	1	CTF-A12- 127
3	K87-M5512-000	KNOCK PIN (FRONT)	1	CTF-A32- 402-1
4	K87-M5513-000	KNOCK PIN (REAR)	1	CTF-A32- 402-2
5	K87-M111G-100	PUSH PIN (L=10)	1	CTF-M08- 325
6	K87-M213L-000	GUIDE AXIS	1	CTF-M12- 22
7		COIL SPRING	1	CTF- 18- C
8	KW1-M554P-000	GUIDE AXIS	1	FTA-A32-1124
9		TAPE GUIDE PLATE	1	FTA-A32-1119-D
10		SHUTTER PLATE	1	FTA-A32-1120-D
11		SHUTTER PIECE	1	FTA-A32-1120-1
12		RIVET	4	FTA-A24-1120-2
13		SHUTTER GUIDE	1	FTA-A24-1120-3
14		SHUTTER COVER	1	FTA-A24-1120-4
15		SHUTTER GUIDE PIN	2	FTA-A24-1122-B
16	KW1-M554N-000	GUIDE AXIS	1	FTA-A32-1123
17	KW1-M4523-000	SPROCKET	1	FTA-A24-1104
18	KW1-M552P-000	SPROCKET AXIS	1	FTA-A32-1112
19	KW1-M552F-000	BEARING	1	MB0808DU
20	K87-M23BG-000	ELBO CONNECTOR	1	KJL04-M3
21	K87-M5683-000	AIR HOSE (L240)	1	U4B-240
22	K87-M111P-000	SCREW,FLAT HEAD +	3	P2MK-3
23	K87-M111R-000	SCREW,SET	4	3MY-5-F
24				
25				
26				
27				
28				
29				
30				
31				
32				
33				
34				
35				
36				

KW1-0206



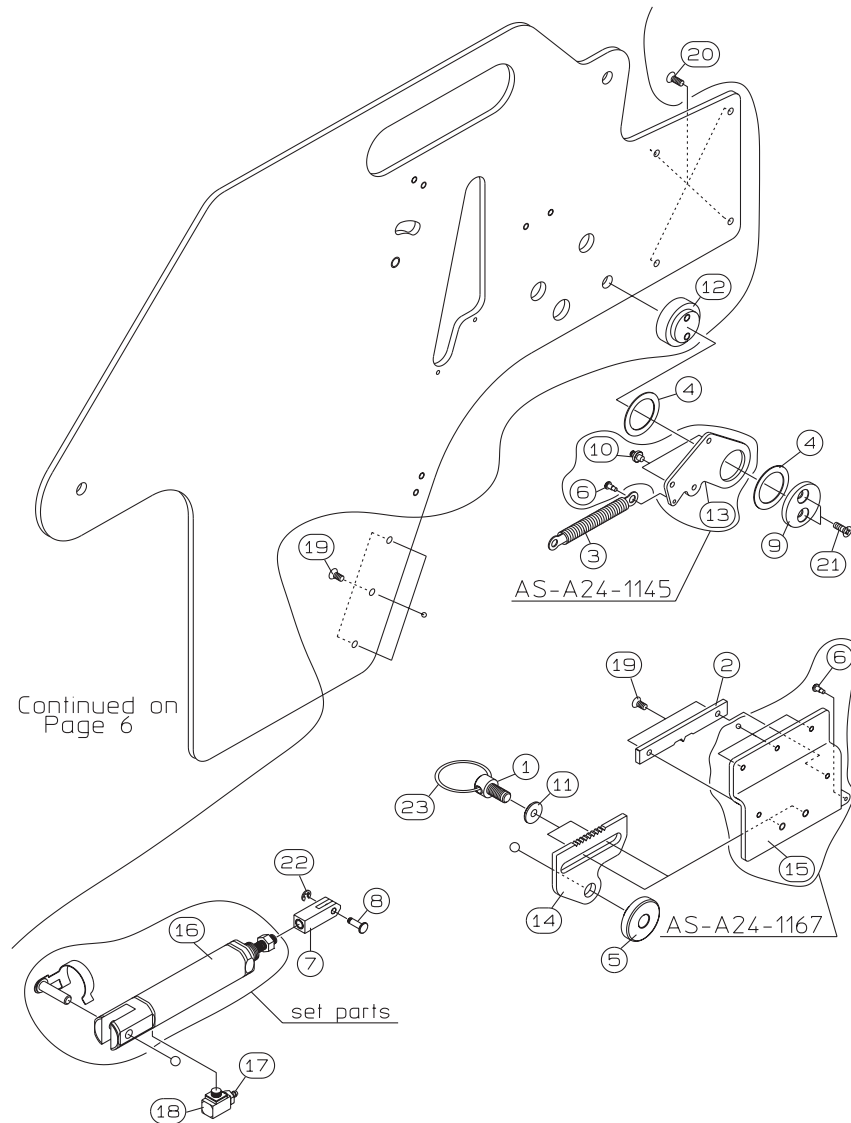
No.	Part No.	Part Name	Q'ty	Remarks
	K87-M2131-000	CLAMP LEVER UNIT	1	AS2-A12- 790-C
	K87-M2132-100	CLAMP LEVER ASSY	1	AS1-A12- 790-C
	K87-M213A-000	CLANK ARM ASSY	1	AS2-A08- 791-B
1		CLANK ARM	1	CTF-A08- 791-B
2	K87-M113D-000	ARM	2	CTF-A08- 792-D
3	K87-M113E-000	HINGE PIN 2	1	CTF-A08- 798-B
4		CLAMP LEVER	1	CTF-A12- 790-C
5		CLAMP PIN	1	CTF-A12- 793-90
6	K87-M213M-000	AXIS PIN	1	CTF-A12- 795
7	K87-M213L-100	CLAMP LEVER AXIS	1	CTF-A12- 796
8		HINGE PIN 1	1	CTF-A12- 797
9		PIN	1	CTF-A32- 623-2
10	K87-M113H-000	PUSH PIN (L=10)	1	CSF- 47- 24
11	K87-M111Y-000	SCREW,SET	1	4MY-4-F
12	K87-M111V-000	SCREW,SET	1	4MY-5-F
13	K87-M11D7-000	CIRCLIP E	2	E-32
14				
15				
16				
17				
18				
19				
20				
21				
22				
23				
24				
25				
26				
27				
28				
29				
30				
31				
32				
33				
34				
35				

KW1-0206



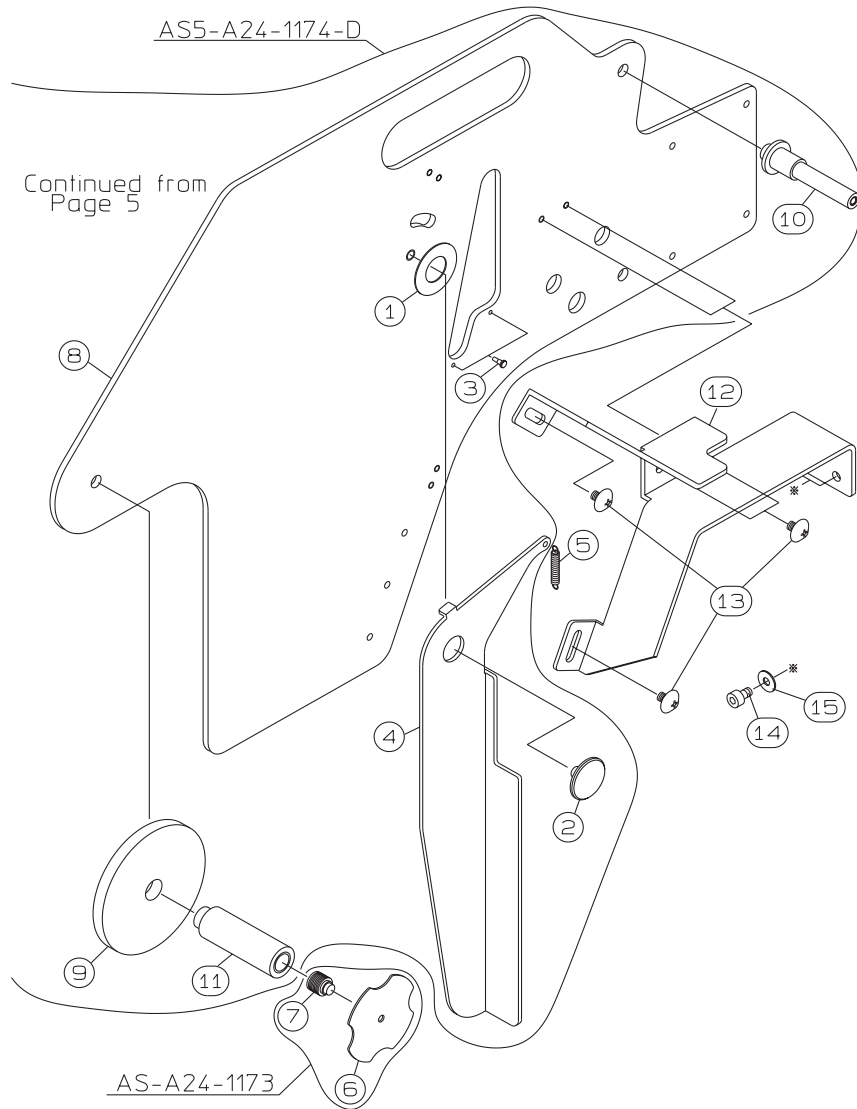
No.	Part No.	Part Name	Q'ty	Remarks
	KW1-M4592-000	INDENTATION LEVER ASSY	1	AS -A24-1159
	KW1-M459G-000	SUB LEVER ASSY	1	AS -A24-1160-B
	KW1-M5593-000	REEL SHAFT ASSY	1	AS -A32-1152-C
	KW1-M559N-000	METAL ASSY	1	AS -A32-1153-C
	K87-M559A-000	DRIVE GEAR ASSY	1	AS2- 42- 62-C
1	KW1-M459P-000	METAL PIN	2	CTF-A12- 653-1
2	KW1-M459Y-000	PLANE WASHER	1	CTF-A12- 656
3	K87-M539M-000	SPRING	1	CTF-A32- 64-2
4	K87-M119J-000	THRUST WASHER	3	CTF- 42- 60-L
5	K87-M559K-000	INDEX GEAR	1	CTF- 42- 61-BL
6		DRIVE GEAR	1	CTF- 42- 62-C
7	KW1-M459L-000	SUB ARM	1	FTA-A24-1146-B
8	KW1-M459V-000	REEL FLANGE	1	FTA-A24-1154-D
9		GEAR AXIS	1	FTA-A24-1156
10		STUD	1	FTA-A24-1158
11		INDENTATION LEVER	1	FTA-A24-1159
12		SUB LEVER	1	FTA-A24-1160-B
13	KW1-M457B-000	PLANE WASHER	1	FTA-A24-1176
14	KW1-M559D-000	REEL SHAFT	1	FTA-A32-1152-C
15	KW1-M559T-000	METAL	1	FTA-A32-1153-C
16	KW1-M559U-000	REEL PLATE	1	FTA-A32-1155-E
17		ONE WAY CRUTCH	1	FC-4K
18	K87-M219E-100	ONE WAY CRUTCH	1	FC-6
19	K87-M5596-000	OILLESS BEARING	1	80B-0808
20	KW1-M459R-000	MAGNET	2	6-3
21	K87-M111BB-000	SCREW,FLAT HEAD + IB	5	P2.6MK-5-IB
22	KW1-M45BF-000	SCREW,FLAT HEAD +	2	3MK-16-P
23	K87-M111S-000	SCREW,FLAT HEAD +	1	3MK-6-P
24	K87-M111B9-000	CIRCLIP E	1	E-24
25	KW1-M459S-000	STRAIGHT PIN	2	4N-9.8 A
26				
27				
28				
29				
30				
31				
32				
33				

KW1-0206



No.	Part No.	Part Name	Q'ty	Remarks
	KW1-M451G-000	LEVER ASSY	1	AS -A24-1145
	KW1-M458A-000	SET PLATE ASSY	1	AS -A24-1167
1	KW1-M458E-000	RING SCREW	2	CTF-A12- 566-1
2	K87-M538C-000	POSITION PLATE	1	CTF-A32- 49-2
3	K87-M531D-000	SPRING	1	CTF-A32- 347
4	K87-M2316-000	THRUST WASHER	2	CTF- N2- 06
5	KW1-M4585-000	METAL	1	CTF-N32- 166-B1
6		SPRING HOOK PIN	2	CTF- 42- 11-2
7	K87-M2382-000	CYL CONNECTOR	1	CTF- 53- 63-Y
8	K87-M1184-000	CONNECT PIN	1	CTF- 53- 64
9	K87-M2317-000	CAP	1	CTF- 54- 43
10		STUD	2	CTF- 54- 44
11	K87-M2387-000	PLANE WASHER	1	CTF- 54- 66-1
12		LEVER METAL	1	FTA-A24-1142
13		LEVER	1	FTA-A24-1145
14	KW1-M4584-000	ADJUST PLATE	1	FTA-A24-1148-B
15		SET PLATE	1	FTA-A24-1167
16	K87-M2381-000	AIR CYLINDER	1	PBSA 16_30-7
17	K87-M56C1-000	CONNECTOR	1	BF4BU
18	KW1-M4586-000	UNIVERSAL ELBOW	1	UEF
19	K87-M111S-000	SCREW,FLAT HEAD +	5	3MK-6-P
20	KW1-M45BG-000	SCREW,FLAT HEAD +	4	3MK-10-P
21	K87-M23B6-000	SCREW,FLAT HEAD +	2	4MK-8-P
22	K87-M11B9-000	CIRCLIP	1	E-24
23	KW1-M458F-000	DOUBLE RING	2	
24				
25				
26				
27				
28				
29				
30				
31				
32				
33				
34				
35				
36				

KW1-0206



No.	Part No.	Part Name	Q'ty	Remarks
	KW1-M456N-000	REEL COVER ASSY	1	AS -A24-1173
	KW1-M5560-000	REEL PLATE ASSY	1	AS5-A24-1174-D
1		THRUST WASHER	1	CTF- 53- 70
2		GUIDE PIN	1	FTA-A24-1139-B
3		HOOK PIN	2	FTA-A24-1161
4		TENSION LEVER	1	FTA-A24-1169-B
5	KW1-M456C-000	SPRING	1	FTA-A24-1169-240
6		COVER	1	FTA-A24-1173
7		SCREW	1	FTA-A24-1173-1B
8		REEL PLATE	1	FTA-A24-1174-D
9		REEL FLANGE	1	FTA-A24-1178-B
10		REEL SHAFT	1	FTA-A32-1151-C
11		REEL AXIS	1	FTA-A32-1172-B
12	KW1-M5567-000	GUIDE PLATE	1	FTA-A32-1177-C
13	K87-M23BL-000	SCREW TRUSS HEAD	4	T3M-5-P
14	KW1-M22B5-000	BOLT,HEXAGON SOCKET HEAD	2	3MX-6-P
15	K87-M11BE-000	WASHER	2	3MV (3V-0.5-8-P)
16				
17				
18				
19				
20				
21				
22				
23				
24				
25				
26				
27				
28				
29				
30				
31				
32				
33				
34				
35				
36				