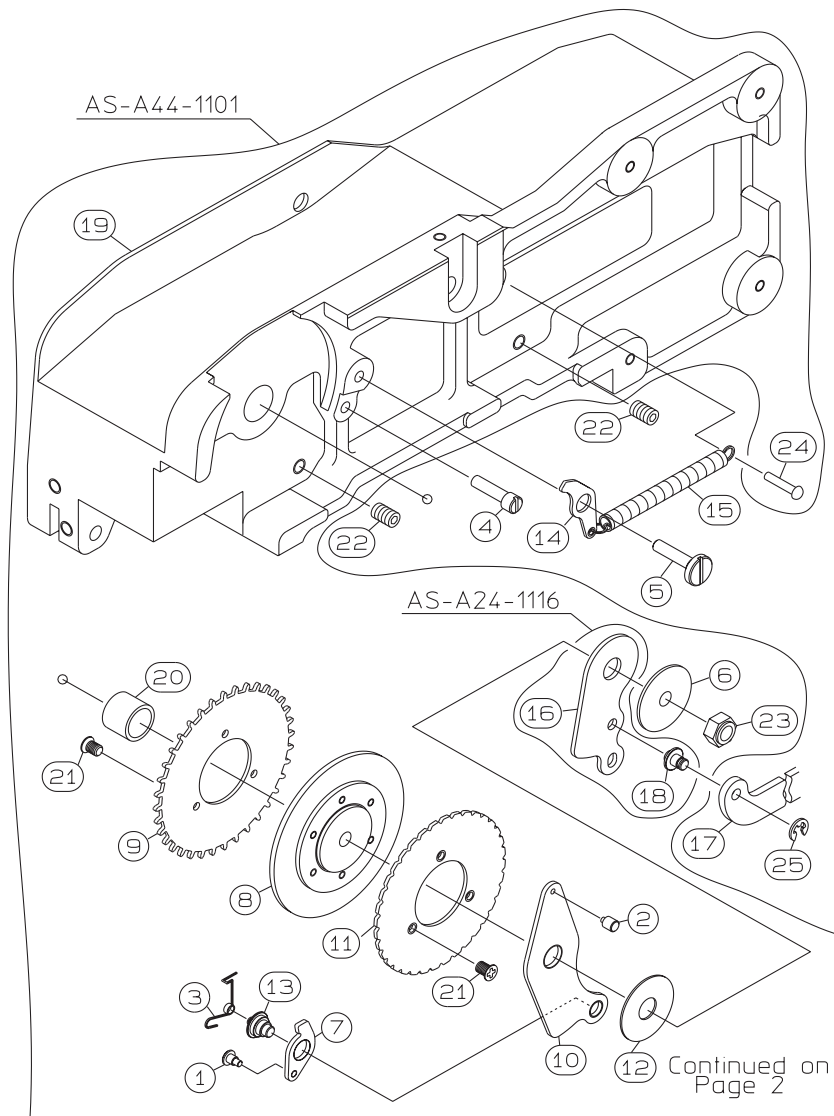
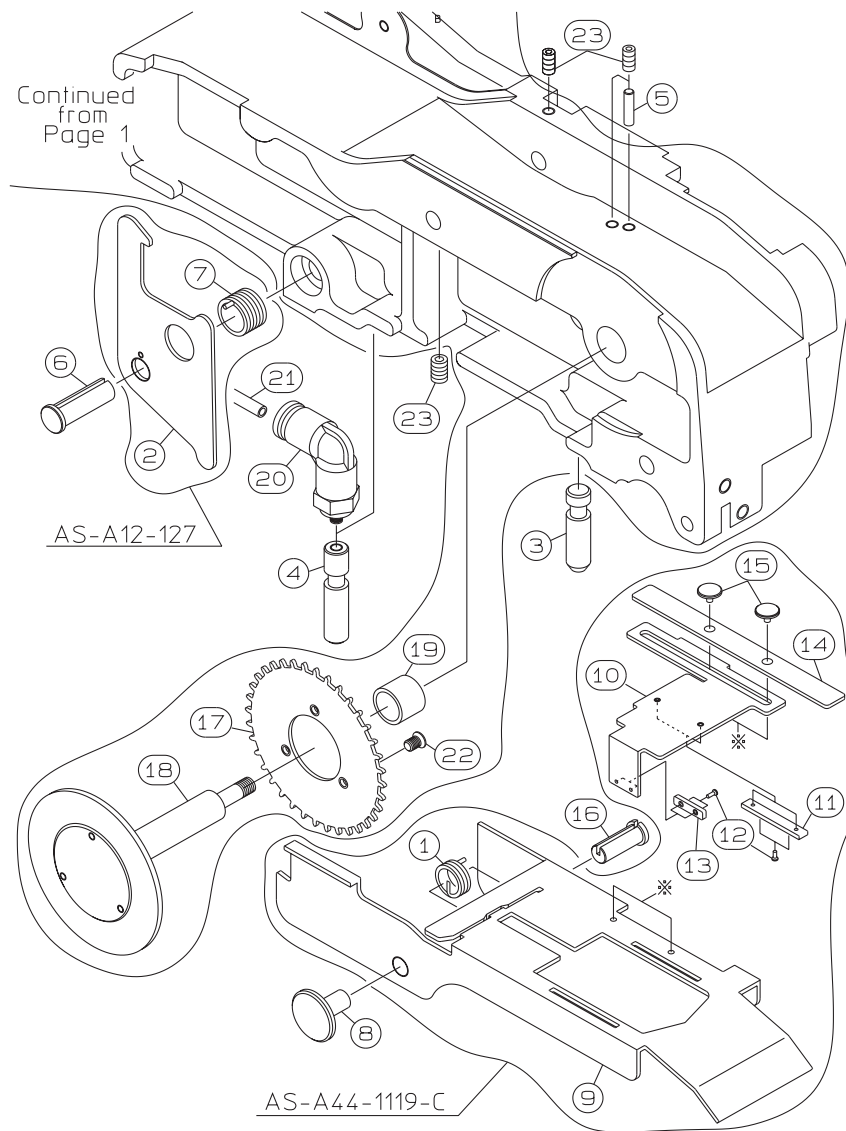


KW1-0206



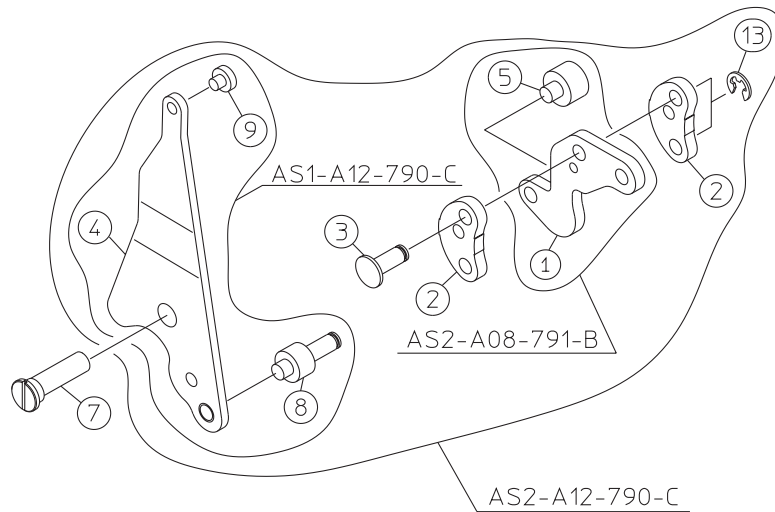
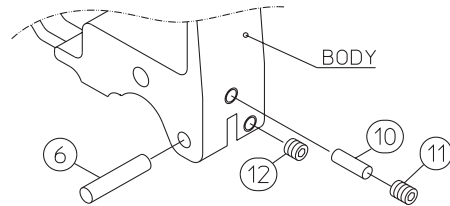
| No. | Part No.       | Part Name              | Q'ty | Remarks          |
|-----|----------------|------------------------|------|------------------|
|     | KW1-M452U-000  | SUB LEVER ASSY         | 1    | AS -A24-1116     |
|     | KW1-M6510-000  | BODY ASSY              | 1    | AS -A44-1101     |
| 1   |                | SPRING HOOK PIN        | 1    | CTF-A08- 211-B-2 |
| 2   |                | RACKING LEVER GUID PIN | 1    | CTF-A12- 706     |
| 3   | KW1-M452D-000  | COIL SPRING            | 1    | CTF-M08- 511-1   |
| 4   | KW1-M221F-100  | STOPPER PIN            | 1    | CTF-M12- 313     |
| 5   | K87-M211B-000  | BACK STOPPER AXIS      | 1    | CTF-M12- 315     |
| 6   | KW1-M552R-000  | LEVER METAL            | 1    | FTA-A32-1108     |
| 7   |                | RACKING POLE           | 1    | FTA-A08-1111     |
| 8   | KW1-M4521-000  | METAL                  | 1    | FTA-A24-1103     |
| 9   | KW1-M4523-000  | SPROCKET               | 1    | FTA-A24-1104     |
| 10  |                | RACKING LEVER          | 1    | FTA-A24-1105     |
| 11  | KW1-M4524-000  | RATCHET                | 1    | FTA-A24-1107     |
| 12  | KW1-M452H-000  | THRUST WASHER          | 1    | FTA-A24-1109     |
| 13  |                | POLE AXIS              | 1    | FTA-A24-1110     |
| 14  | KW1-M451H-000  | BACK STOPPER           | 1    | FTA-A24-1114     |
| 15  | KW1-M451A-000  | SPRING                 | 1    | FTA-A24-1114-400 |
| 16  |                | SUB LEVER              | 1    | FTA-A24-1116     |
| 17  | KW1-M4577-000  | MAIN ARM               | 1    | FTA-A24-1117     |
| 18  |                | STUD                   | 1    | FTA-A24-1118     |
| 19  | KW1-M6511-000  | BODY                   | 1    | FTA-A44-1101     |
| 20  | KW1-M552F-000  | BEARING                | 1    | MB0808DU         |
| 21  | K87-M1111P-000 | SCREW,FLAT HEAD +      | 6    | P2MK-3           |
| 22  | K87-M1111V-000 | SCREW SET              | 2    | 4MY-5-F          |
| 23  | K87-M55BL-000  | UNAT                   | 1    | 4MH-U            |
| 24  | K87-M1115-000  | CIRCULAR RIVET         | 1    | 2-10             |
| 25  | K87-M111B9-000 | CIRCLIP E              | 1    | E-24             |
| 26  |                |                        |      |                  |
| 27  |                |                        |      |                  |
| 28  |                |                        |      |                  |
| 29  |                |                        |      |                  |
| 30  |                |                        |      |                  |
| 31  |                |                        |      |                  |
| 32  |                |                        |      |                  |
| 33  |                |                        |      |                  |
| 34  |                |                        |      |                  |
| 35  |                |                        |      |                  |
| 36  |                |                        |      |                  |

KW1-0206



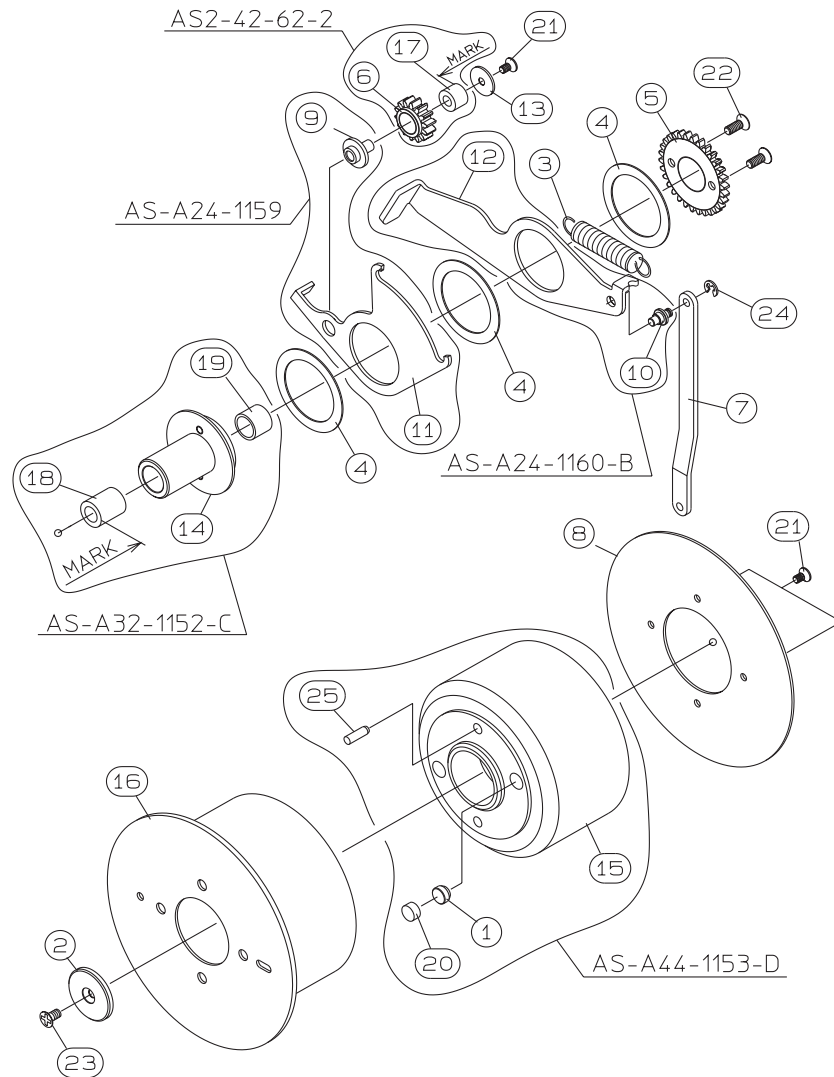
| No. | Part No.      | Part Name         | Q'ty | Remarks        |
|-----|---------------|-------------------|------|----------------|
|     | K87-M214A-000 | LOCK LEVER ASSY   | 1    | AS -A12- 127   |
|     | KW1-M6540-000 | TAPE GUIDE ASSY   | 1    | AS -A44-1119-C |
| 1   |               | COIL SPRING       | 1    | CTF-A08- 228   |
| 2   |               | LOCK LEVER        | 1    | CTF-A12- 127   |
| 3   | K87-M5512-000 | KNOCK PIN (FRONT) | 1    | CTF-A32- 402-1 |
| 4   | K87-M5513-000 | KNOCK PIN (REAR)  | 1    | CTF-A32- 402-2 |
| 5   | K87-M111G-100 | PUSH PIN (L=10)   | 1    | CTF-M08- 325   |
| 6   | K87-M213L-000 | GUIDE AXIS        | 1    | CTF-M12- 22    |
| 7   |               | COIL SPRING       | 1    | CTF- 18- C     |
| 8   | KW1-M554P-000 | GUIDE AXIS        | 1    | FTA-A32-1124   |
| 9   |               | TAPE GUIDE PLATE  | 1    | FTA-A44-1119-C |
| 10  |               | SHUTTER PLATE     | 1    | FTA-A44-1120-C |
| 11  |               | SHUTTER PIECE     | 1    | FTA-A32-1120-1 |
| 12  |               | RIVET             | 4    | FTA-A24-1120-2 |
| 13  |               | SHUTTER GUIDE     | 1    | FTA-A24-1120-3 |
| 14  |               | SHUTTER COVER     | 1    | FTA-A24-1120-4 |
| 15  |               | SHUTTER GUIDE PIN | 2    | FTA-A24-1122-B |
| 16  | KW1-M554N-000 | GUIDE AXIS        | 1    | FTA-A32-1123   |
| 17  | KW1-M4523-000 | SPROCKET          | 1    | FTA-A24-1104   |
| 18  | KW1-M652P-000 | SPROCKET AXIS     | 1    | FTA-A44-1112   |
| 19  | KW1-M552F-000 | BEARING           | 1    | MB0808DU       |
| 20  | K87-M23BG-000 | ELBO CONNECTOR    | 1    | KJL04-M3       |
| 21  | K87-M5683-000 | AIR HOSE (L240)   | 1    | U4B-240        |
| 22  | K87-M111P-000 | SCREW,FLAT HEAD + | 3    | P2MK-3         |
| 23  | K87-M111R-000 | SCREW,SET         | 4    | 3MY-5-F        |
| 24  |               |                   |      |                |
| 25  |               |                   |      |                |
| 26  |               |                   |      |                |
| 27  |               |                   |      |                |
| 28  |               |                   |      |                |
| 29  |               |                   |      |                |
| 30  |               |                   |      |                |
| 31  |               |                   |      |                |
| 32  |               |                   |      |                |
| 33  |               |                   |      |                |
| 34  |               |                   |      |                |
| 35  |               |                   |      |                |
| 36  |               |                   |      |                |

KW1-0206



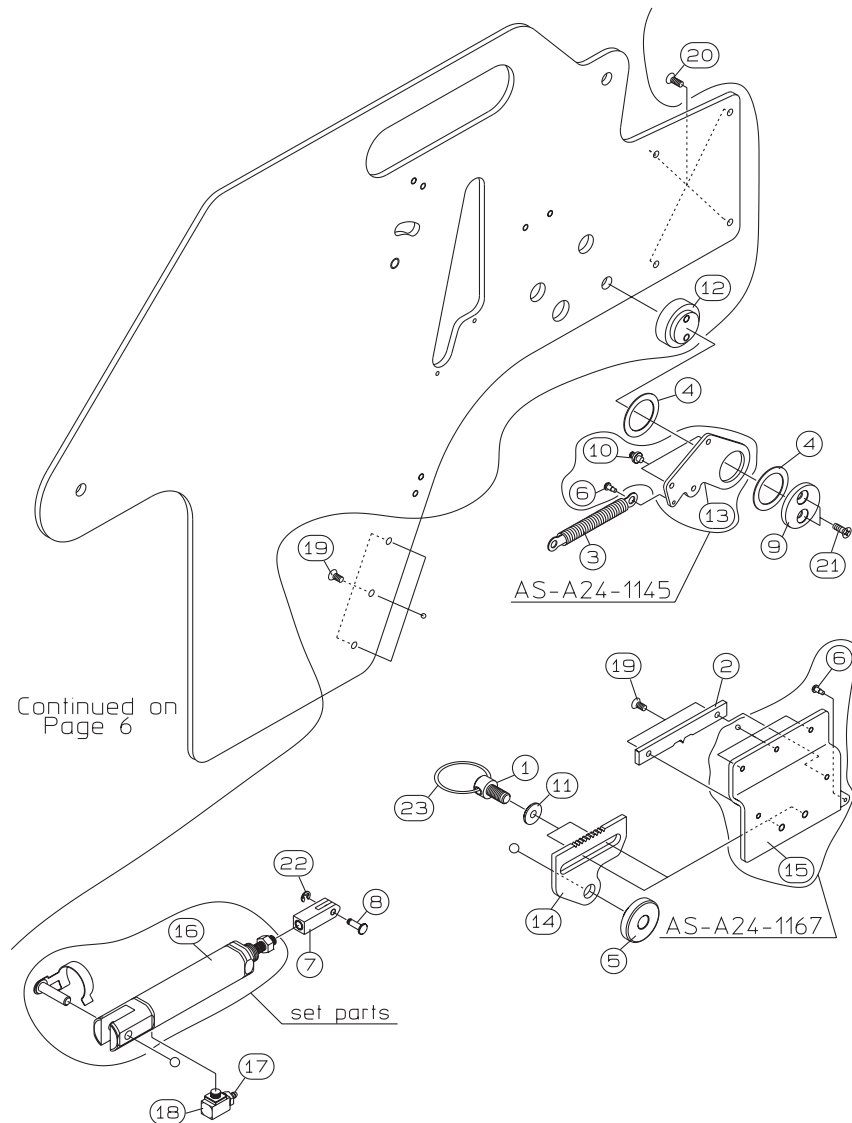
| No. | Part No.      | Part Name        | Q'ty | Remarks         |
|-----|---------------|------------------|------|-----------------|
|     | K87-M2131-000 | CLAMP LEVER UNIT | 1    | AS2-A12- 790-C  |
|     | K87-M2132-100 | CLAMP LEVER ASSY | 1    | AS1-A12- 790-C  |
|     | K87-M213A-000 | CLANK ARM ASSY   | 1    | AS2-A08- 791-B  |
| 1   |               | CLANK ARM        | 1    | CTF-A08- 791-B  |
| 2   | K87-M113D-000 | ARM              | 2    | CTF-A08- 792-D  |
| 3   | K87-M113E-000 | HINGE PIN 2      | 1    | CTF-A08- 798-B  |
| 4   |               | CLAMP LEVER      | 1    | CTF-A12- 790-C  |
| 5   |               | CLAMP PIN        | 1    | CTF-A12- 793-90 |
| 6   | K87-M213M-000 | AXIS PIN         | 1    | CTF-A12- 795    |
| 7   | K87-M213L-100 | CLAMP LEVER AXIS | 1    | CTF-A12- 796    |
| 8   |               | HINGE PIN 1      | 1    | CTF-A12- 797    |
| 9   |               | PIN              | 1    | CTF-A32- 623-2  |
| 10  | K87-M113H-000 | PUSH PIN (L=10)  | 1    | CSF- 47- 24     |
| 11  | K87-M111Y-000 | SCREW,SET        | 1    | 4MY-4-F         |
| 12  | K87-M111V-000 | SCREW,SET        | 1    | 4MY-5-F         |
| 13  | K87-M11D7-000 | CIRCLIP E        | 2    | E-32            |
| 14  |               |                  |      |                 |
| 15  |               |                  |      |                 |
| 16  |               |                  |      |                 |
| 17  |               |                  |      |                 |
| 18  |               |                  |      |                 |
| 19  |               |                  |      |                 |
| 20  |               |                  |      |                 |
| 21  |               |                  |      |                 |
| 22  |               |                  |      |                 |
| 23  |               |                  |      |                 |
| 24  |               |                  |      |                 |
| 25  |               |                  |      |                 |
| 26  |               |                  |      |                 |
| 27  |               |                  |      |                 |
| 28  |               |                  |      |                 |
| 29  |               |                  |      |                 |
| 30  |               |                  |      |                 |
| 31  |               |                  |      |                 |
| 32  |               |                  |      |                 |
| 33  |               |                  |      |                 |
| 34  |               |                  |      |                 |
| 35  |               |                  |      |                 |

KW1-0206



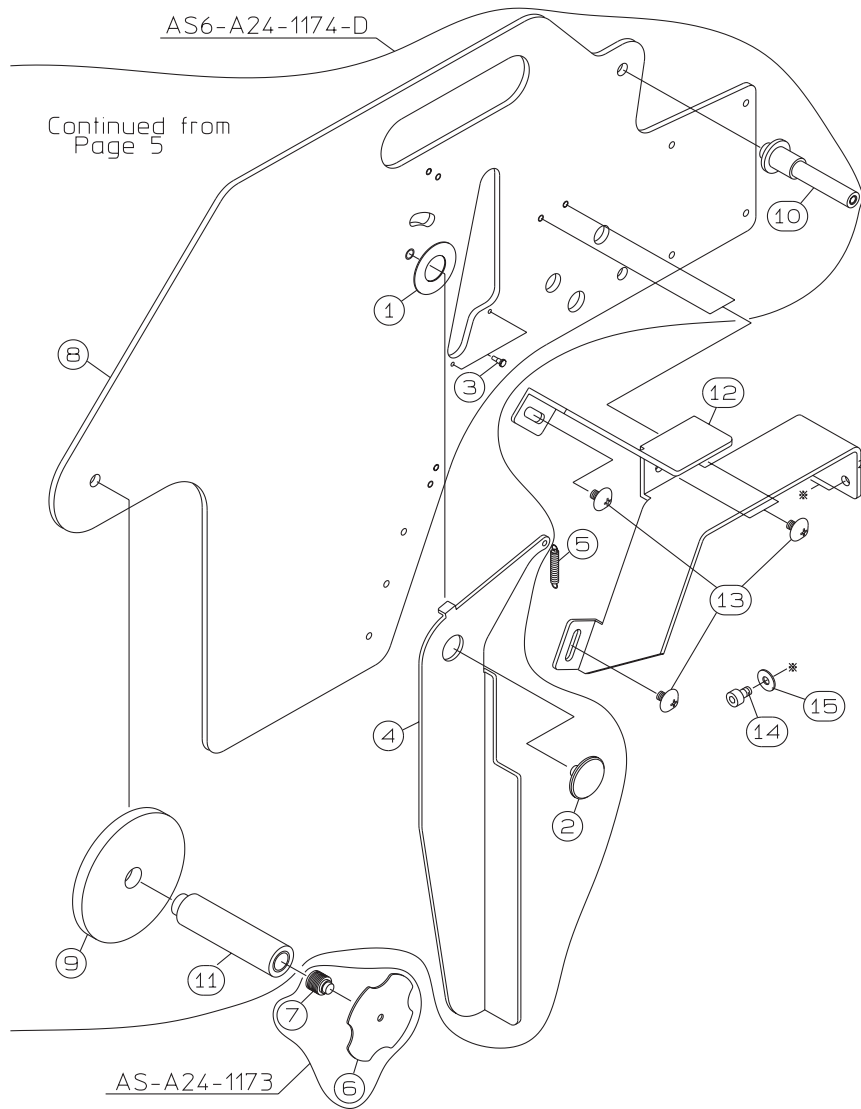
| No. | Part No.       | Part Name              | Q'ty | Remarks        |
|-----|----------------|------------------------|------|----------------|
|     | KW1-M4592-000  | INDENTATION LEVER ASSY | 1    | AS -A24-1159   |
|     | KW1-M459G-000  | SUB LEVER ASSY         | 1    | AS -A24-1160-B |
|     | KW1-M5593-000  | REEL SHAFT ASSY        | 1    | AS -A32-1152-C |
|     | KW1-M659N-000  | METAL ASSY             | 1    | AS -A44-1153-D |
|     | K87-M559A-000  | DRIVE GEAR ASSY        | 1    | AS2- 42- 62-C  |
| 1   | KW1-M459P-000  | METAL PIN              | 2    | CTF-A12- 653-1 |
| 2   | KW1-M459Y-000  | PLANE WASHER           | 1    | CTF-A12- 656   |
| 3   | K87-M539M-000  | SPRING                 | 1    | CTF-A32- 64-2  |
| 4   | K87-M119J-000  | THRUST WASHER          | 3    | CTF- 42- 60-L  |
| 5   | K87-M559K-000  | INDEX GEAR             | 1    | CTF- 42- 61-BL |
| 6   |                | DRIVE GEAR             | 1    | CTF- 42- 62-C  |
| 7   | KW1-M459L-000  | SUB ARM                | 1    | FTA-A24-1146-B |
| 8   | KW1-M459V-000  | REEL FLANGE            | 1    | FTA-A24-1154-D |
| 9   |                | GEAR AXIS              | 1    | FTA-A24-1156   |
| 10  |                | STUD                   | 1    | FTA-A24-1158   |
| 11  |                | INDENTATION LEVER      | 1    | FTA-A24-1159   |
| 12  |                | SUB LEVER              | 1    | FTA-A24-1160-B |
| 13  | KW1-M457B-000  | PLANE WASHER           | 1    | FTA-A24-1176   |
| 14  | KW1-M559D-000  | REEL SHAFT             | 1    | FTA-A32-1152-C |
| 15  | KW1-M659T-000  | METAL                  | 1    | FTA-A44-1153-D |
| 16  | KW1-M659U-000  | REEL PLATE             | 1    | FTA-A44-1155-E |
| 17  |                | ONE WAY CRUTCH         | 1    | FC-4K          |
| 18  | K87-M219E-100  | ONE WAY CRUTCH         | 1    | FC-6           |
| 19  | K87-M5596-000  | OILLESS BEARING        | 1    | 80B-0808       |
| 20  | KW1-M459R-000  | MAGNET                 | 2    | 6-3            |
| 21  | K87-M111BB-000 | SCREW,FLAT HEAD + IB   | 5    | P2.6MK-5-IB    |
| 22  | KW1-M45BF-000  | SCREW,FLAT HEAD +      | 2    | 3MK-16-P       |
| 23  | K87-M111S-000  | SCREW,FLAT HEAD +      | 1    | 3MK-6-P        |
| 24  | K87-M111B9-000 | CIRCLIP E              | 1    | E-24           |
| 25  | KW1-M459S-000  | STRAIGHT PIN           | 2    | 4N-9.8 A       |
| 26  |                |                        |      |                |
| 27  |                |                        |      |                |
| 28  |                |                        |      |                |
| 29  |                |                        |      |                |
| 30  |                |                        |      |                |
| 31  |                |                        |      |                |
| 32  |                |                        |      |                |
| 33  |                |                        |      |                |

KW1-0206



| No. | Part No.      | Part Name         | Q'ty | Remarks         |
|-----|---------------|-------------------|------|-----------------|
|     | KW1-M451G-000 | LEVER ASSY        | 1    | AS -A24-1145    |
|     | KW1-M458A-000 | SET PLATE ASSY    | 1    | AS -A24-1167    |
| 1   | KW1-M458E-000 | RING SCREW        | 2    | CTF-A12- 566-1  |
| 2   | K87-M538C-000 | POSITION PLATE    | 1    | CTF-A32- 49-2   |
| 3   | K87-M531D-000 | SPRING            | 1    | CTF-A32- 347    |
| 4   | K87-M2316-000 | THRUST WASHER     | 2    | CTF- N2- 06     |
| 5   | KW1-M4585-000 | METAL             | 1    | CTF-N32- 166-B1 |
| 6   |               | SPRING HOOK PIN   | 2    | CTF- 42- 11-2   |
| 7   | K87-M2382-000 | CYL CONNECTOR     | 1    | CTF- 53- 63-Y   |
| 8   | K87-M1184-000 | CONNECT PIN       | 1    | CTF- 53- 64     |
| 9   | K87-M2317-000 | CAP               | 1    | CTF- 54- 43     |
| 10  |               | STUD              | 2    | CTF- 54- 44     |
| 11  | K87-M2387-000 | PLANE WASHER      | 1    | CTF- 54- 66-1   |
| 12  |               | LEVER METAL       | 1    | FTA-A24-1142    |
| 13  |               | LEVER             | 1    | FTA-A24-1145    |
| 14  | KW1-M4584-000 | ADJUST PLATE      | 1    | FTA-A24-1148-B  |
| 15  |               | SET PLATE         | 1    | FTA-A24-1167    |
| 16  | K87-M2381-000 | AIR CYLINDER      | 1    | PBSA 16_30-7    |
| 17  | K87-M56C1-000 | CONNECTOR         | 1    | BF4BU           |
| 18  | KW1-M4586-000 | UNIVERSAL ELBOW   | 1    | UEF             |
| 19  | K87-M111S-000 | SCREW,FLAT HEAD + | 5    | 3MK-6-P         |
| 20  | KW1-M45BG-000 | SCREW,FLAT HEAD + | 4    | 3MK-10-P        |
| 21  | K87-M23B6-000 | SCREW,FLAT HEAD + | 2    | 4MK-8-P         |
| 22  | K87-M11B9-000 | CIRCLIP           | 1    | E-24            |
| 23  | KW1-M458F-000 | DOUBLE RING       | 2    |                 |
| 24  |               |                   |      |                 |
| 25  |               |                   |      |                 |
| 26  |               |                   |      |                 |
| 27  |               |                   |      |                 |
| 28  |               |                   |      |                 |
| 29  |               |                   |      |                 |
| 30  |               |                   |      |                 |
| 31  |               |                   |      |                 |
| 32  |               |                   |      |                 |
| 33  |               |                   |      |                 |
| 34  |               |                   |      |                 |
| 35  |               |                   |      |                 |
| 36  |               |                   |      |                 |

KW1-0206



| No. | Part No.      | Part Name                | Q'ty | Remarks          |
|-----|---------------|--------------------------|------|------------------|
|     | KW1-M456N-000 | REEL COVER ASSY          | 1    | AS -A24-1173     |
|     | KW1-M6560-000 | REEL PLATE ASSY          | 1    | AS6-A24-1174-D   |
| 1   |               | THRUST WASHER            | 1    | CTF- 53- 70      |
| 2   |               | GUIDE PIN                | 1    | FTA-A24-1139-B   |
| 3   |               | HOOK PIN                 | 2    | FTA-A24-1161     |
| 4   |               | TENSION LEVER            | 1    | FTA-A24-1169-B   |
| 5   | KW1-M456C-000 | SPRING                   | 1    | FTA-A24-1169-240 |
| 6   |               | COVER                    | 1    | FTA-A24-1173     |
| 7   |               | SCREW                    | 1    | FTA-A24-1173-1B  |
| 8   |               | REEL PLATE               | 1    | FTA-A24-1174-D   |
| 9   |               | REEL FLANGE              | 1    | FTA-A24-1178-B   |
| 10  |               | REEL SHAFT               | 1    | FTA-A32-1151-C   |
| 11  |               | REEL AXIS                | 1    | FTA-A44-1172-B   |
| 12  | KW1-M6567-000 | GUIDE PLATE              | 1    | FTA-A44-1177-C   |
| 13  | K87-M23BL-000 | SCREW TRUSS HEAD         | 4    | T3M-5-P          |
| 14  | KW1-M22B5-000 | BOLT,HEXAGON SOCKET HEAD | 2    | 3MX-6-P          |
| 15  | K87-M11BE-000 | WASHER                   | 2    | 3MV (3V-0.5-8-P) |
| 16  |               |                          |      |                  |
| 17  |               |                          |      |                  |
| 18  |               |                          |      |                  |
| 19  |               |                          |      |                  |
| 20  |               |                          |      |                  |
| 21  |               |                          |      |                  |
| 22  |               |                          |      |                  |
| 23  |               |                          |      |                  |
| 24  |               |                          |      |                  |
| 25  |               |                          |      |                  |
| 26  |               |                          |      |                  |
| 27  |               |                          |      |                  |
| 28  |               |                          |      |                  |
| 29  |               |                          |      |                  |
| 30  |               |                          |      |                  |
| 31  |               |                          |      |                  |
| 32  |               |                          |      |                  |
| 33  |               |                          |      |                  |
| 34  |               |                          |      |                  |
| 35  |               |                          |      |                  |
| 36  |               |                          |      |                  |